

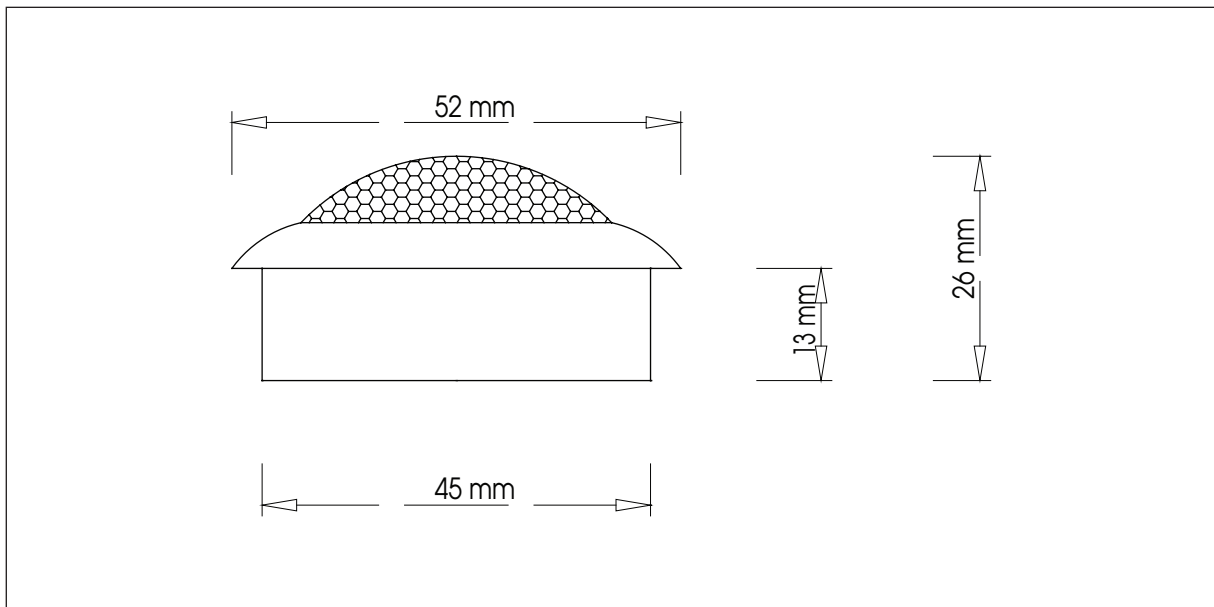


s i n f o n i

S 25 T

Information Sheet

The Sinfoni S25T tweeter has a very soft dome, made of polyester and treated with a special acrylic resin which doesn't modify the structure when the temperature changes. To keep the F_s at low values the tweeter has, on the back side, an insulated compensation chamber, avoiding so the use of ferrofluid. To ensure a good ventilation 16 holes have been made inside the magnetic section in direction of the voice coil, taking advantage of the said compensation chamber. The magnetic section is made of a neodymium disk, plated at 150°C , not at the usual 130°C , to avoid any possible magnetism lost. The voice coil: two layers of copper on aluminium former; two silver wires, welded using the ultrasound technic, are used to connect the voice coil input.



ELECTRICAL CHARACTERISTICS

Nominal Impedance	4 Ohm
Power RMS	70 W
Nominal Voice Coil Diameter	25,5 mm
Sensitivity 1W, 1m	90 dB
Freq-resp	800-20.000 Hz
F_s	917 Hz

CONSTRUCTIVE CHARACTERISTICS

Magnet	neodymium
Dome	polyester
Surround	polyester
Voice Coil Winding	copper
Voice Coil Support	aluminium
Frame	aluminium

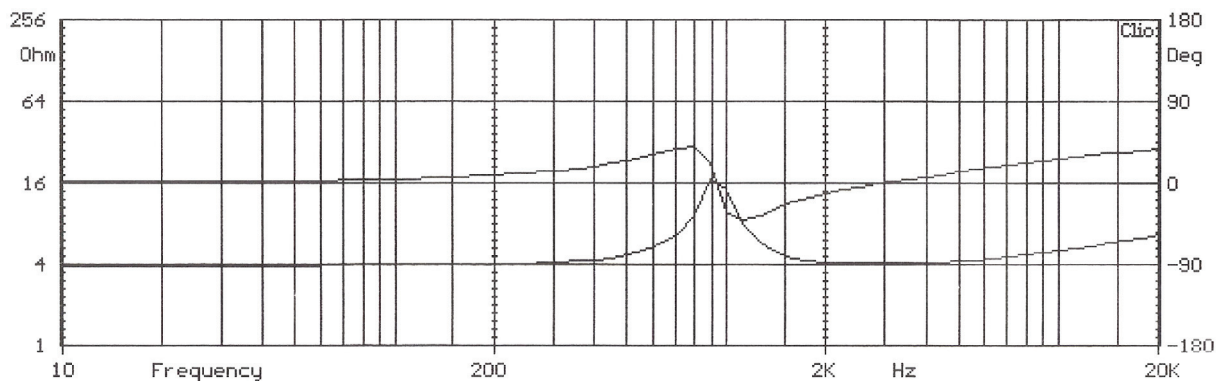


s i n f o n i

S 25 T

Information Sheet

Impedance.



Frequency Response.

